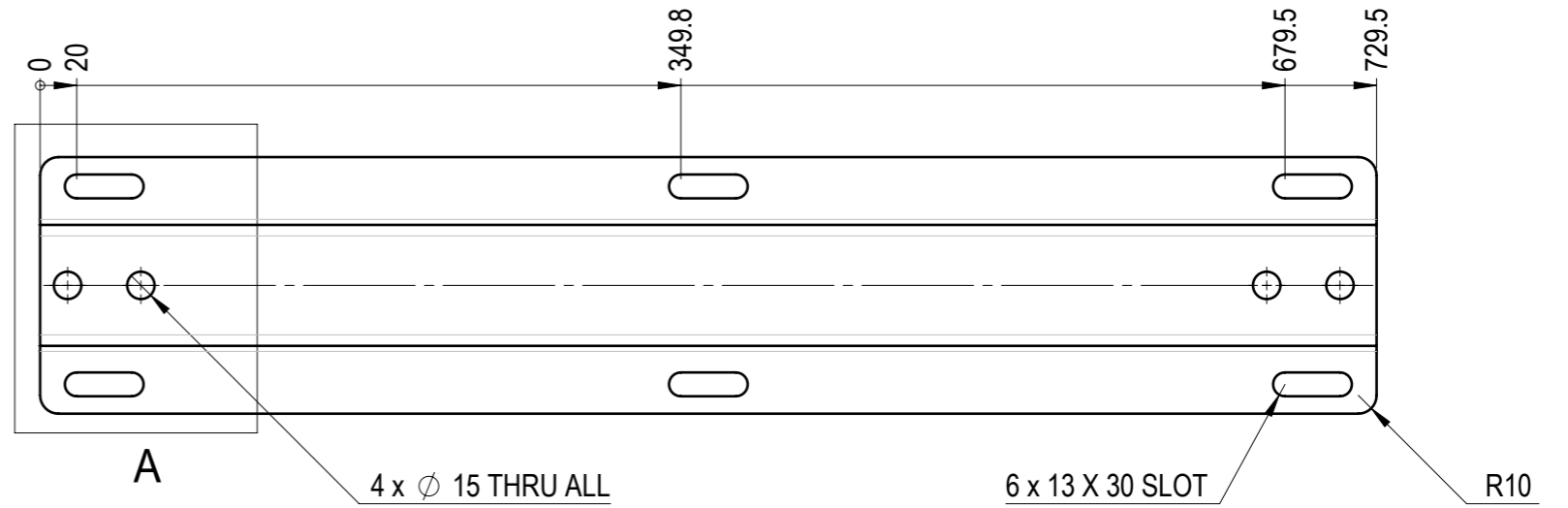
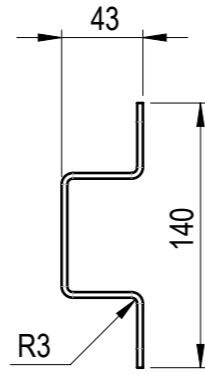
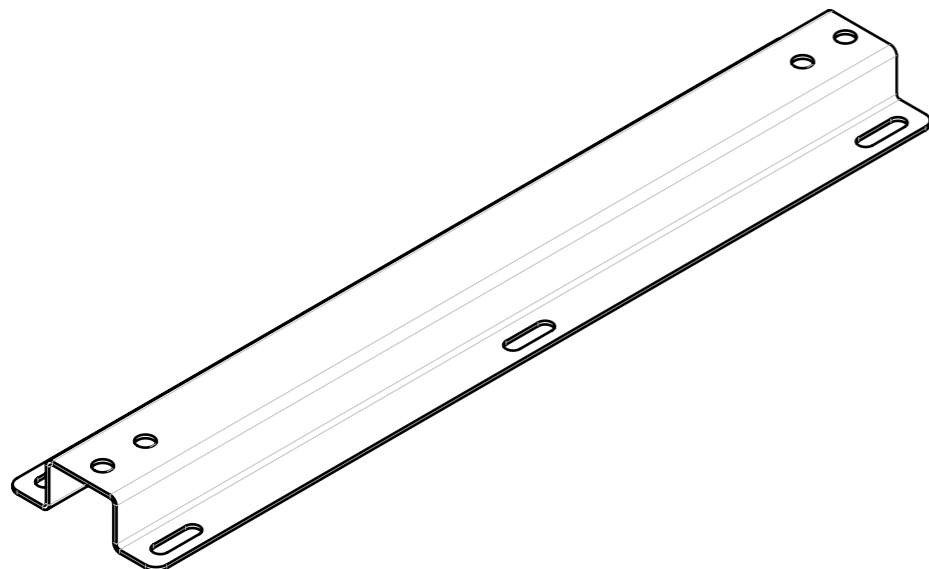
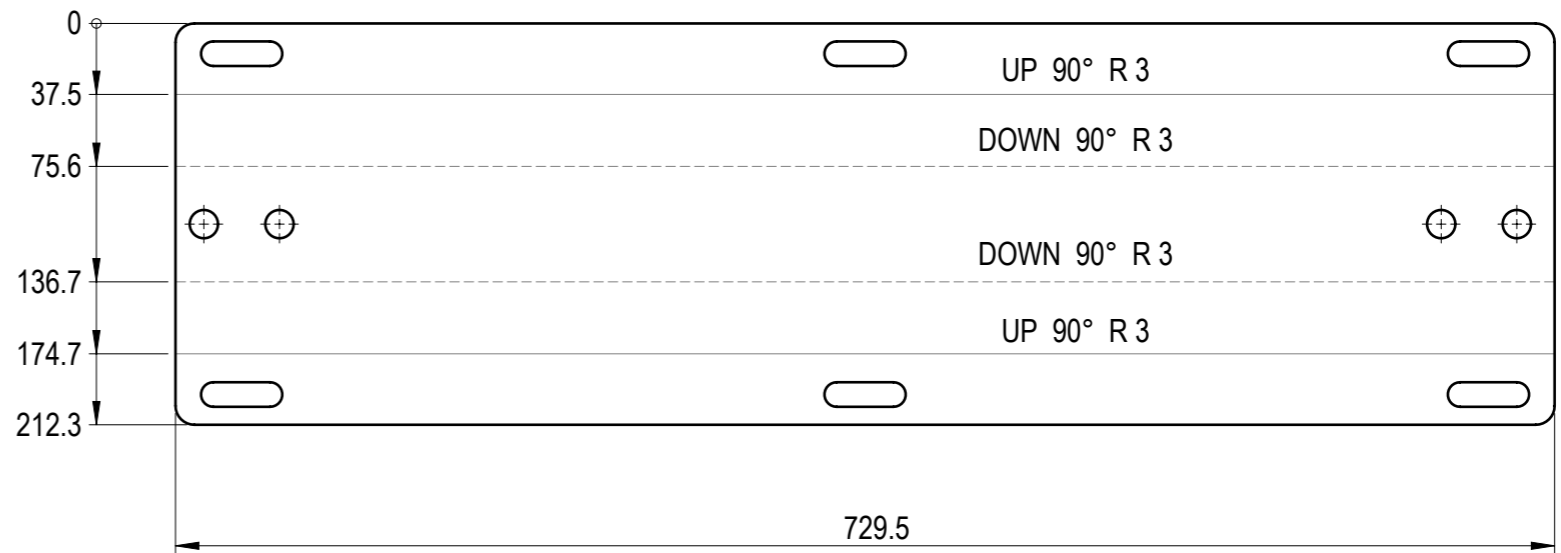


A
SCALE: 1 : 2



Flat Pattern view
SCALE: 1:4



SHEET METAL INFORMATION	
Length, mm	729.5
Width, mm	212.3
Thickness, mm	3
Inside Bend Radius, mm	3
K-Factor	0.5
No. of Bends	4

	MATERIAL	WEIGHT	DEBURR AND BREAK SHARP EDGES DO NOT SCALE DRAWING		REVISION	DATE
	S355	3.532 Kg				5/29/2025
	SURFACE PROTECTION	MACHINING	THERMAL CUTTING	WELDING	SCALE	FORMAT
	HDG EN ISO 1461	ISO 2768 mK	ISO 9013 221	ISO 13920 BF	1:4	A3
	NAME	SIGNATURE	PART NO.			
Designed by	D. Dislers		105-09200-06			
Drawn by	D. Dislers		DESCRIPTION			
Technical ref.			Hat bracket			SHEET 1/1